

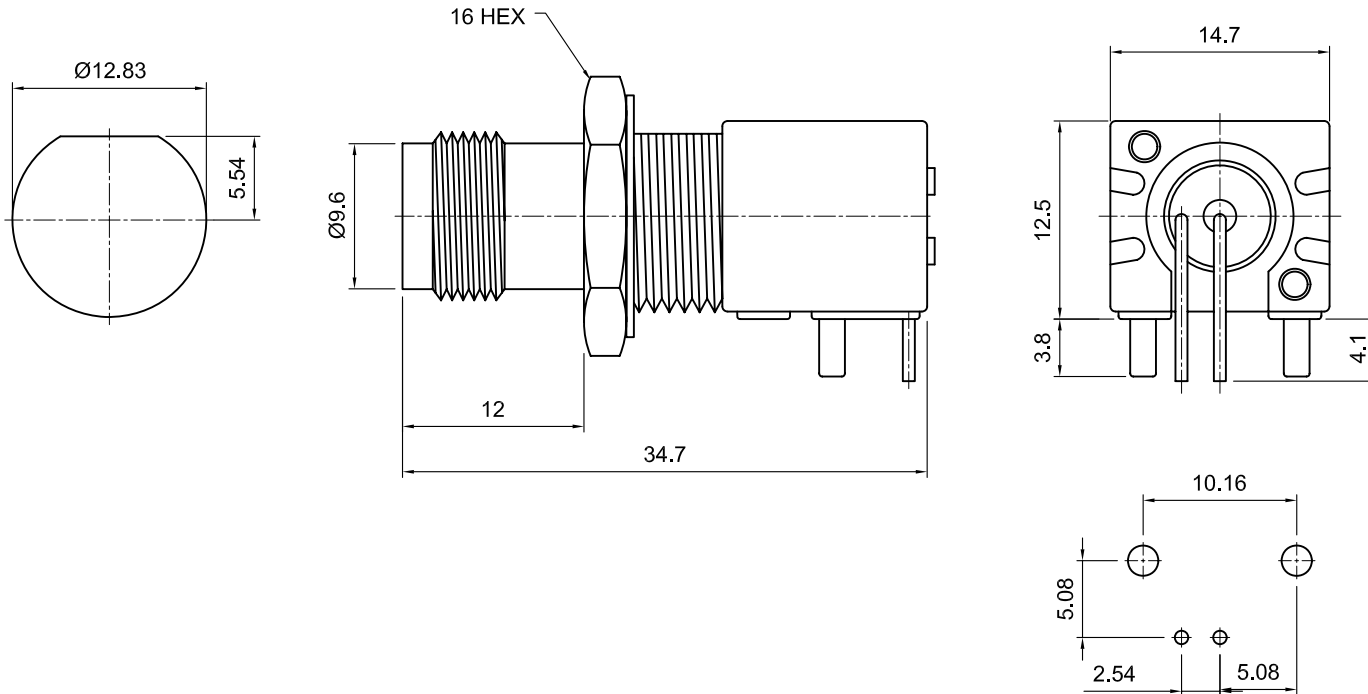
All components used in this connector conform to RoHS standards.




Tolerances
 1-20=+/-0.2
 20-30=+/-0.3
 30-40=+/-0.4
 40-50=+/-0.5
 50-100=+/-0.75
 100-300=+/-1.5
 Angles=+/-1
Dimensions are in Millimeters

Revisions Description/Approved/Date	Approved M.H.	Date 01/01/06
	Checked M.H.	Date 01/01/06
	Drawn K.R.E.	Date 01/01/06
NOTES (plating thickness in micro-inches): 1. Per QQ-B-626 2. Per QQ-S-764 3. Per QQ-C-530 4. Per QQ-B-750 5. Per MIL-P-19468 6. Per ZZ-R-765 7. Per WW-T-799 8. Gold pl. 5 min. over nickel pl. 50 min. over copper strike 9. Nickel pl. 100 min. over copper strike 10. Per QQ-P-35 11. Gold pl. 5 min. over nickel pl. 50 min. over copper strike		

Approved by:
Date:



RECOMMENDED PCB LAYOUT

ITEM	MATERIAL	FINISH	 Lighthouse Technologies, Inc. 9511 Ridgehaven Court, Suite B San Diego, California 92123 Part Number: LTI-TLF54ZNPW		
Connector Body	Diecast Zinc Alloy	Nickel, Note 9	Description TNC right angle commercial PCB jack, short profile (12.5 mm off board) with white plastic housing. Nickel plated brass body, PP dielectric.		
Center Contact: Female	Phosphor Bronze	Gold, Note 11			
Insulation	Polyethylene, Housing: PBT	None			
Ferrule	--	--			
Gasket	--	--			
Hex Nut	Brass, Note 1	Same as body	Scale 2:1	Drawing No. TLF54ZNPW	File Name TLF54ZNPW
Lock Washer	Brass, Note 1	Same as body			