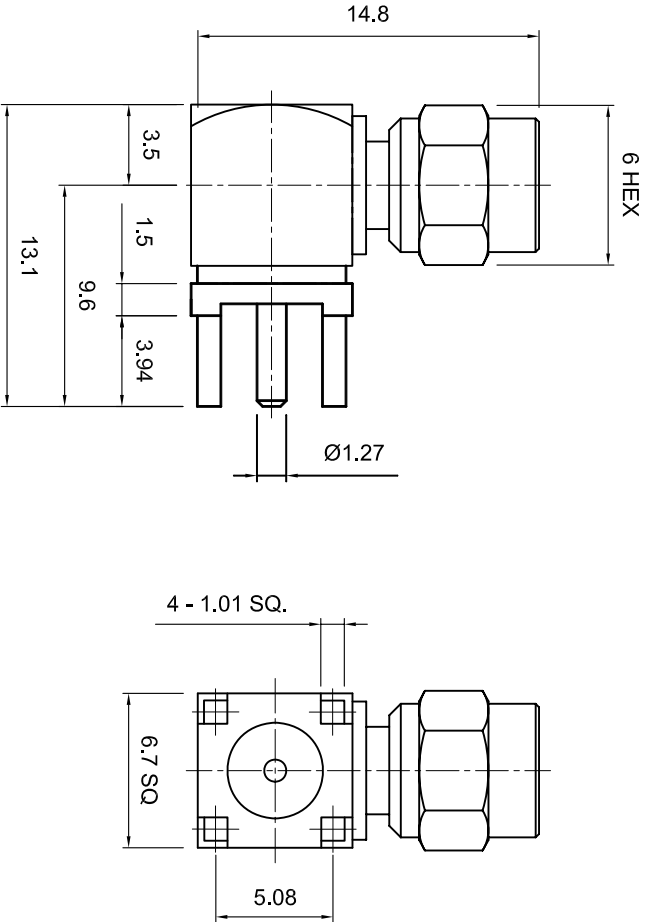


Revisions		Approved	Date
Description/Approved/Date	M.H.	04/25/02	
	Checked	M.H.	04/25/02
	Drawn	K.R.E.	04/23/02


Tolerances
1-20=+/-0.2
20-30=+/-0.3
30-40=+/-0.4
40-50=+/-0.5
50-100=+/-0.75
100-300=+/-1.5
Angles=+/-1

Dimensions are in Millimeters

NOTES (plating thickness in micro-inches):
5. Per MIL-P-19468
6. Per Z2-R-765
7. Per WW-T-799
8. Gold pl. 5 min. over nickel pl. 50 min. over copper siltke
9. Nickel pl. 100 min. over copper siltke
10. Per QQ-P-35
11. Gold pl. 30 min. over nickel pl. 50 min. over copper siltke



ITEM	MATERIAL	FINISH
Connector Body	Brass, Note 1	Gold, Note 8
Center Contact: Female	Phosphor Bronze	Gold, Note 11
Insulation	Teflon, Note 5	None
Ferrule	--	--
Gasket	--	--
Hex Nut	--	--
Lock Washer	--	--



Lighthouse Technologies, Inc.
4907 Morena Boulevard, #1411
San Diego, California 92117
Part Number: **LT-SCLM54GT**

Description SMC right angle PCB plug receptacle. Gold plated brass body.		
Material Teflon dielectric.		
Scale 3:1	Drawing No. SMC/SCLM54	File Name SCLM54