

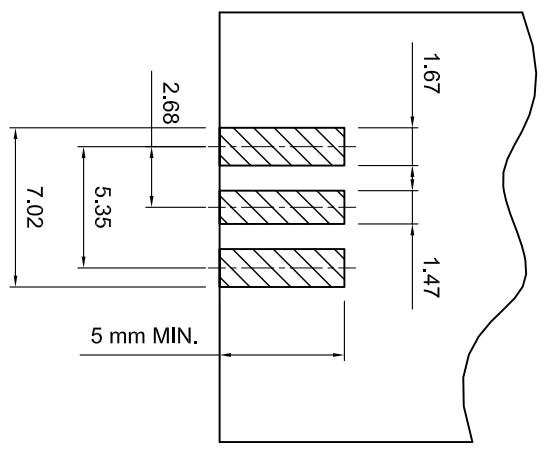
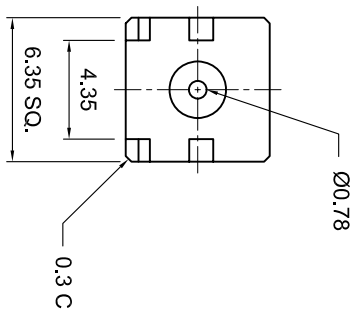
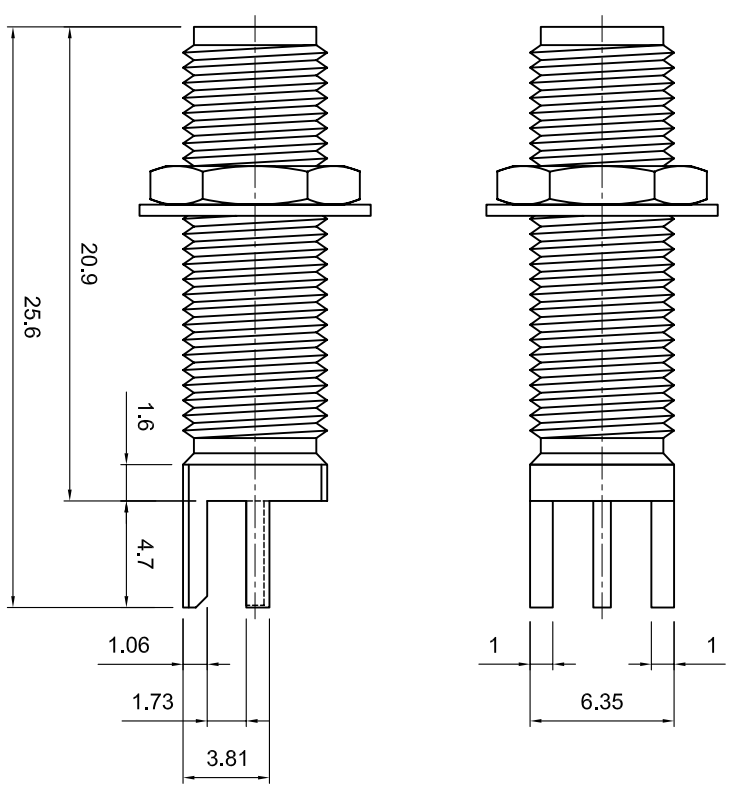
Tolerances	
1-20=+/-0.2	
20-30=+/-0.3	
30-40=+/-0.4	
40-50=+/-0.5	
50-100=+/-0.75	
100-300=+/-1.5	
Angles=+/-1	

Dimensions are in Millimeters

Revisions	Approved	Date
Description/Approval/Date	M.H.	5/7/99
	Checked	Date
	M.H.	5/7/99
	Drawn	Date
	K.R.E.	5/6/99


NOTES (plating thickness in microinches):

- Per QQ-B-626
- Per QQ-S-764
- Per QQ-C-530
- Per QQ-B-750
- Per MIL-P-19488
- Per ZZ-R-765
- Per WW-1-799
- Gold pl. 5 min. over nickel pl. 50 min. over copper strike
- Nickel pl. 100 min. over copper strike
- Per QQ-P-35
- Gold pl. 30 min. over nickel pl. 50 min. over copper strike



LANDING PAD DIMENSIONS

ITEM	MATERIAL	FINISH
Connector Body	Brass, Note 1	Gold, Note 8
Center Contact: RP-F	Beryllium Copper, Note 3	Gold, Note 11
Insulation	Teflon, Note 5	None
Ferrule	--	--
Gasket	--	--
Hex Nut	Brass, Note 1	Same as body
Lock Washer	Brass, Note 1	Same as body

	Lighthouse Technologies, Inc. 9511 Ridgely Court, Suite B San Diego, CA 92123	
	Part Number: LTI-SASRF55LGT	
Description RP SMA end launch jack for .062" PCB, long version		
Scale	(25.6 mm overall). Gold plated brass body, teflon dielectric.	File Name
3:1	Drawing No.	SASRF55LGT