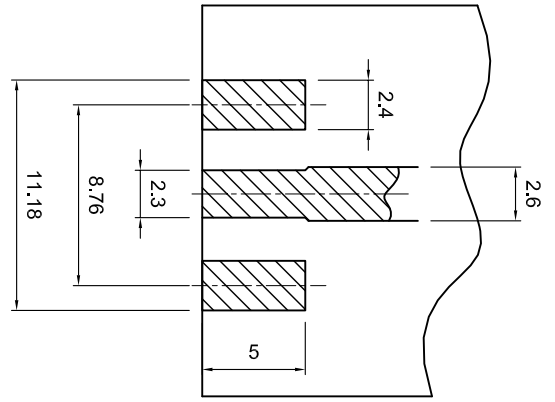
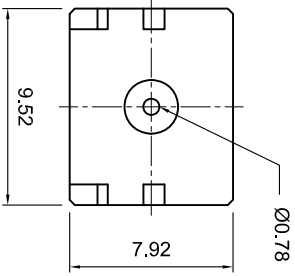
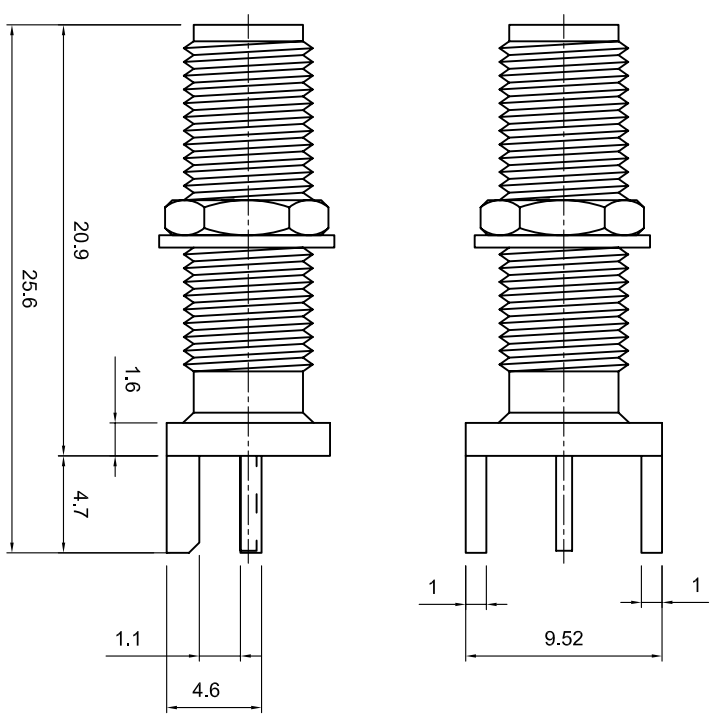


Revisions		Approved	Date
Description/Approval/Date	Checked		Date
	Drawn	S.A.	Date
			10/23/08

**Tolerances**  
1-20=+/-0.2  
20-30=+/-0.3  
30-40=+/-0.4  
40-50=+/-0.5  
50-100=+/-0.75  
100-300=+/-1.5  
Angles=+/-1

**Dimensions are in Millimeters**

**NOTES** (plating thickness in microinches):  
1. Per QQ-B-626  
2. Per QQ-S-764  
3. Per QQ-C-530  
4. Per QQ-B-750  
5. Per MIL-P-19488  
6. Per ZZ-R-765  
7. Per WW-1-799  
8. Gold pl. 5 min. over nickel pl. 50 min. over copper strike  
9. Nickel pl. 100 min. over copper strike  
10. Per QQ-P-35  
11. Gold pl. 30 min. over nickel pl. 50 min. over copper strike



LANDING PAD DIMENSIONS

ITEM	MATERIAL	FINISH
Connector Body	Brass, Note 1	Gold, Note 8
Center Contact: Female	BeCu, Note 3	Gold, Note 11
Insulation	Teflon, Note 5	None
Ferrule	--	--
Gasket	--	--
Hex Nut	Brass, Note 1	Same as body
Lock Washer	Brass, Note 1	Same as body

**Lighthouse Technologies, Inc.**  
9511 Ridgely Court, Suite B  
San Diego, California 92123

Part Number:  
**LTI-SASF95LGT-4**

Description SMA end launch jack, for .042" PCB, wide flange, long version.		
Scale	Drawing No.	File Name
3:1		SASF95LGT-4