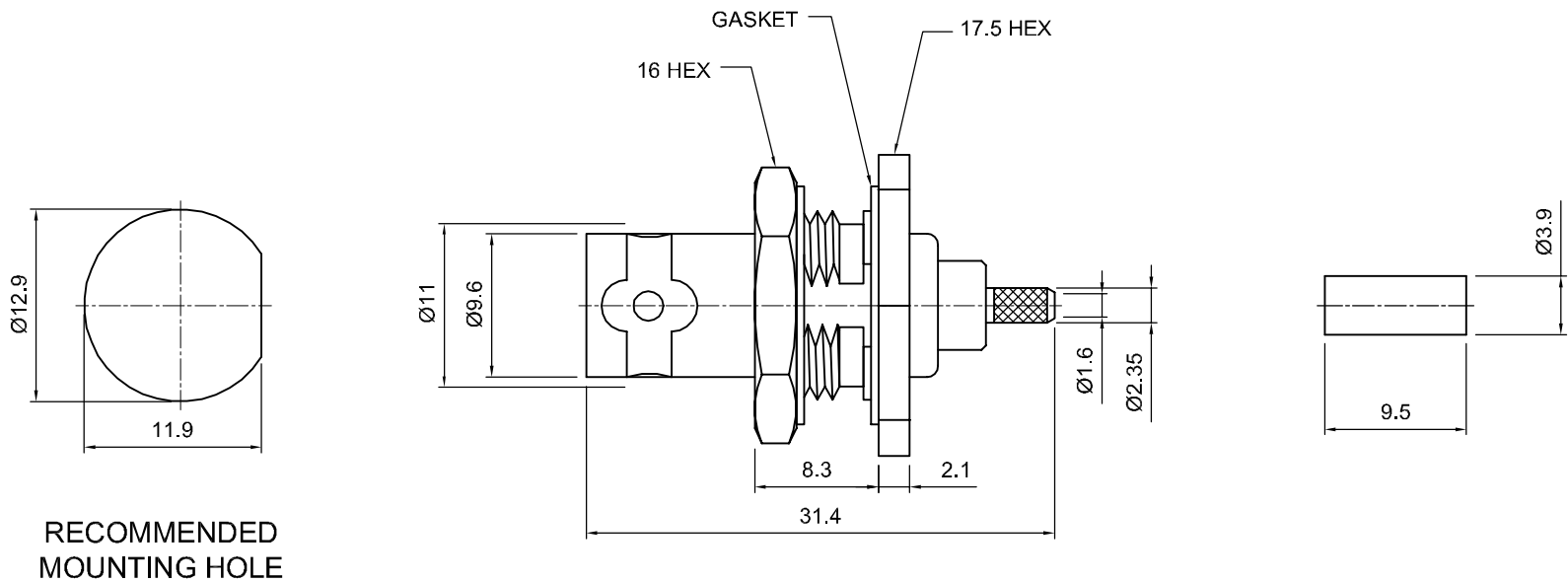



	Tolerances 1-20=+/-0.2 20-30=+/-0.3 30-40=+/-0.4 40-50=+/-0.5 50-100=+/-0.75 100-300=+/-1.5 Angles=+/-1 Dimensions are in Millimeters	Revisions	Approved	Date
		Description/Approved/Date	M.H.	03/15/00
			Checked	Date
			M.H.	03/15/00
		Drawn	Date	
		K.R.E.	03/11/00	
NOTES (plating thickness in micro-inches):		5. Per MIL-P-19468	9. Nickel pl. 100 min. over copper strike	
1. Per QQ-B-626	6. Per ZZ-R-765	7. Per WW-T-799	10. Per QQ-P-35	
2. Per QQ-S-764	8. Gold pl. 5 min. over nickel pl. 50 min. over copper strike		11. Gold pl. 3 min. over nickel pl. 50 min. over copper strike	
3. Per QQ-C-530				
4. Per QQ-B-750				



ITEM	MATERIAL	FINISH	Lighthouse Technologies, Inc.		
Connector Body	Brass, Note 1	Nickel, Note 9	 4907 Morena Boulevard, #1411 San Diego, California 92117 Part Number: LTI-7BSF13RNT-179	Description	
Center Contact: Female	Phosphor Bronze, Note 4	Gold, Note 11		75 ohm BNC bulkhead crimp jack for RG-179 cable. Nickel plated	
Insulation	Teflon, Note 5	None		brass body, teflon dielectric.	
Ferrule	Annealed Copper, Note 7	Same as body	Scale	Drawing No.	File Name
Gasket	Silicone Rubber, Note 6	None	2:1		7BSF13-179
Hex Nut	Brass, Note 1	Same as body			
Lock Washer	Brass, Note 1	Same as body			