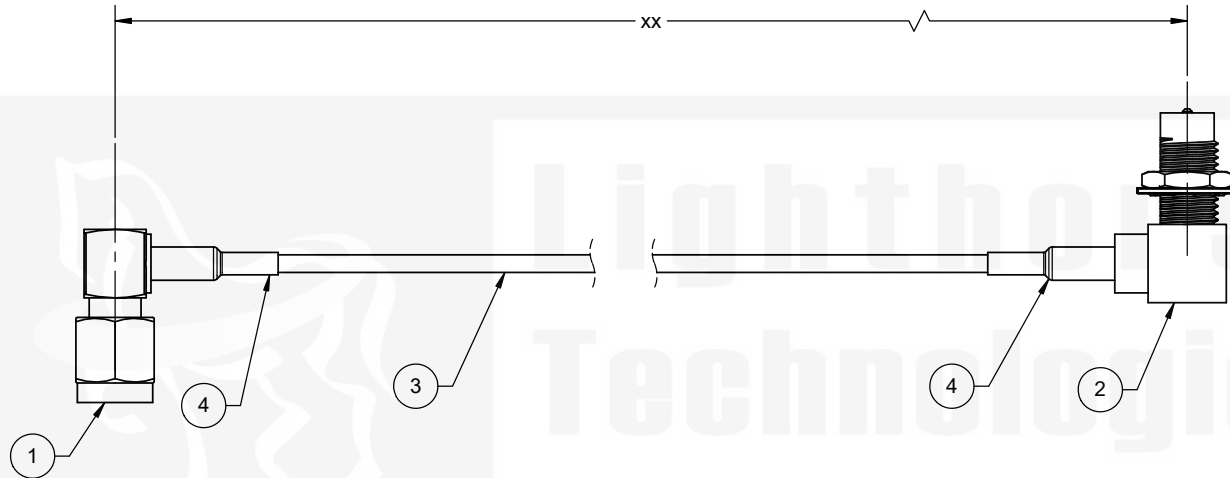


-XX IN THE ENDING OF THE CABLE PART NUMBER IS CALLING OUT THE LENGTH OF THE ASSEMBLY FROM CENTER TO MATING FLANGE OF CONNECTORS. EXAMPLES SHOWN BELOW:

LTI P/N: CBG-SALMGT-SALRF3GT-6IN-60 (6 INCHES)
 CBG-SALMGT-SALRF3GT-100MM-60 (100 MILLIMETERS)

REVISIONS				
REV	ECR	DESCRIPTION	DRAWN	DATE
1		ENGINEERING RELEASE	M. LARSEN	08/08/2023



ITEM	PART NUMBER	DESCRIPTION	QTY
1	SALM11GT-178	SMA, RIGHT ANGLE, PLUG, CABLE CRIMP	1
2	SALRF13RGT-316	RP-SMA, RIGHT ANGLE, JACK, BLKHD MNT CABLE CRIMP	1
3	RG-178	CABLE, RG-178 COAX	AR
4	1635F-1/8"	.125 (1/8) DIA, .75 LENGTH, GREEN	2

DO NOT SCALE DRAWING			Lighthouse Technologies San Diego, CA WWW.RFCONNECTOR.COM	
TOLERANCES UNLESS OTHERWISE SPECIFIED			TITLE: CABLE ASSEMBLY, RP-SMA, R/A JACK, BLKHD MNT, CRIMP TO, SMA, R/A PLUG, USING RG-178 COAX, OPPOSITE ORIENTATION	
DIMENSIONS ARE IN MILLIMETERS		THIRD ANGLE PROJECTION	SIZE PART/DWG. NO:	
X = ±0.5 XX = ±0.25 XXX = ±0.13 ANGLE = ±30°			B CBG-SALMGT-SALRF3GT-xx-60	
CUSTOMER APPROVAL		SCALE: 3:1 FILE NAME		
SIGN / DATE:		REV		
ENG APPR. P. BURDGE	08/08/2023	1		
CHECKED M. HELD	08/08/2023			
DRAWN M. LARSEN	08/08/2023			
NAME	DATE	SHEET 1 OF 1		

PROPRIETARY AND CONFIDENTIAL

UNLESS OTHERWISE SPECIFIED: THIS DOCUMENT CONTAINS LIGHTHORSE TECHNOLOGIES INFORMATION. REPRODUCTION, USE, DISCLOSURE OR TRANSMITTAL OF ALL OR ANY PART OF THIS DOCUMENT IS PROHIBITED EXCEPT TO THE EXTENT APPROVED IN WRITING BY AN AUTHORIZED REPRESENTATIVE OF LIGHTHORSE TECHNOLOGIES. LIGHTHORSE TECHNOLOGIES RESERVES ALL RIGHTS UNDER PATENTS, TRADEMARKS, COPYRIGHTS AND TRADE SECRETS. COPY RIGHTS OF LIGHTHORSE TECHNOLOGIES 2011, ALL RIGHTS RESERVED.

