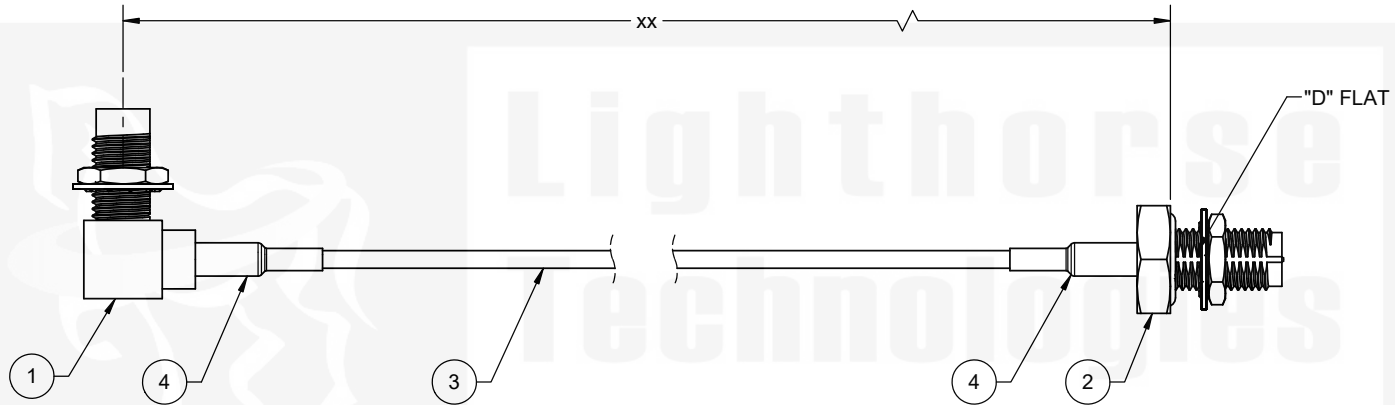


REVISIONS				
REV	ECR	DESCRIPTION	DRAWN	DATE
1		ENGINEERING RELEASE	M. LARSEN	08/07/2023


-XX IN THE ENDING OF THE CABLE PART NUMBER IS CALLING OUT THE LENGTH OF THE ASSEMBLY FROM CENTER TO MATING FLANGE OF CONNECTORS. EXAMPLES SHOWN BELOW:

LTI P/N: CBG-SALF3GT-SARF30GTX9-6IN (6 INCHES)
 CBG-SALF3GT-SARF30GTX9-100MM (100 MILLIMETERS)



ITEM	PART NUMBER	DESCRIPTION	QTY
1	SALF13RGT-316	SMA, RIGHT ANGLE, JACK, BLKHD MNT, CABLE CRIMP	1
2	SASRF13ROGT-113-X9	SMA, STRAIGHT, REV POL JACK, BLKHD MNT, O-RING, IP-67, CABLE CRIMP	1
3	RG-178	CABLE, RG-178 COAX	AR
4	1635F-1/8"	.125 (1/8) DIA, .75 LENGTH, GREEN	2

I-PEX® AND MHF® ARE REGISTERED TRADEMARKS OF I-PEX CO., LTD. CORPORATION

DO NOT SCALE DRAWING		 Lighthouse Technologies San Diego, CA WWW.RFCONNECTOR.COM	
TOLERANCES UNLESS OTHERWISE SPECIFIED			
DIMENSIONS ARE IN MILLIMETERS		TITLE: CABLE ASSEMBLY, SMA, R/A JACK, BLKHD MNT, CRIMP TO, RP-SMA, JACK, BLKHD MNT O-RING, IP-67, CRIMP USING RG-178	
X = ±0.5 X.X = ±0.25 X.XX = ±0.13 ANGLE = ±30°			
THIRD ANGLE PROJECTION		SIZE PART/DWG. NO: B CBG-SALF3GT-SARF30GTX9-xx	
CUSTOMER APPROVAL SIGN / DATE:			
ENG APPR.	P. BURDGE	08/07/2023	REV 1
CHECKED	M. HELD	08/07/2023	
DRAWN	M. LARSEN	08/07/2023	SCALE: 3:1 FILE NAME SHEET 1 OF 1
NAME	DATE		

PROPRIETARY AND CONFIDENTIAL

UNLESS OTHERWISE SPECIFIED: THIS DOCUMENT CONTAINS LIGHTHORSE TECHNOLOGIES INFORMATION. REPRODUCTION, USE, DISCLOSURE OR TRANSMITTAL OF ALL OR ANY PART OF THIS DOCUMENT IS PROHIBITED EXCEPT TO THE EXTENT APPROVED IN WRITING BY AN AUTHORIZED REPRESENTATIVE OF LIGHTHORSE TECHNOLOGIES. LIGHTHORSE TECHNOLOGIES RESERVES ALL RIGHTS UNDER PATENTS, TRADEMARKS, COPYRIGHTS AND TRADE SECRETS. COPY RIGHTS OF LIGHTHORSE TECHNOLOGIES 2011, ALL RIGHTS RESERVED.

