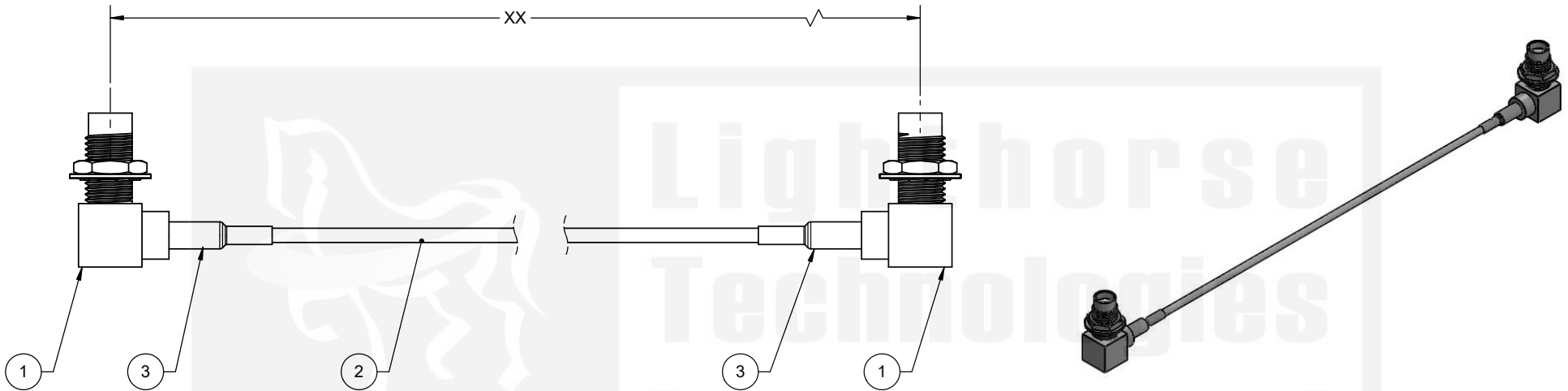



-XX IN THE ENDING OF THE CABLE PART NUMBER IS CALLING OUT THE LENGTH OF THE ASSEMBLY FROM CENTER TO MATING FLANGE OF CONNECTORS. EXAMPLES SHOWN BELOW:

LTI P/N: CBG-2SALF3GT-4IN (4 INCHES)
 CBG-2SALF3GT-10IN (10 INCHES)

REVISIONS				
REV	ECR	DESCRIPTION	DRAWN	DATE
1		PRODUCTION RELEASE	M. LARSEN	09/13/2022



ITEM	PART NUMBER	DESCRIPTION	QTY
1	SALF13RGT-316	SMA, RIGHT ANGLE, JACK, BLKHD MNT, CABLE CRIMP	2
2	RG-178	CABLE, RG-178 COAX, COPPER COLOR	AR
3	1635F-1/8"	.125 (1/8) DIA, .75 LENGTH, GREEN	2

DO NOT SCALE DRAWING		 Lighthouse Technologies San Diego, CA WWW.RFCONNECTOR.COM	
TOLERANCES UNLESS OTHERWISE SPECIFIED			
DIMENSIONS ARE IN MILLIMETERS		TITLE: CABLE ASSEMBLY, SMA, R/A JACK, BLKHD MNT, CRIMP TO SMA, R/A JACK, BLKHD MNT, CRIMP USING RG-178 CABLE	
X = ±0.5 X.X = ±0.25 X.XX = ±0.13 ANGLE = ±30°			
THIRD ANGLE PROJECTION		SIZE PART/DWG. NO: B CBG-2SALF3GT-XX	
SIGN / DATE:			
ENG APPR.	P. BURDGE 09/13/2022	REV	A
CHECKED	M. HELD 09/13/2022	SCALE	4:1
DRAWN	M. LARSEN 09/13/2022	FILE NAME	
NAME	DATE	SHEET 1 OF 1	

PROPRIETARY AND CONFIDENTIAL

UNLESS OTHERWISE SPECIFIED: THIS DOCUMENT CONTAINS LIGHORSE TECHNOLOGIES INFORMATION. REPRODUCTION, USE, DISCLOSURE OR TRANSMITTAL OF ALL OR ANY PART OF THIS DOCUMENT IS PROHIBITED EXCEPT TO THE EXTENT APPROVED IN WRITING BY AN AUTHORIZED REPRESENTATIVE OF LIGHORSE TECHNOLOGIES. LIGHORSE TECHNOLOGIES RESERVES ALL RIGHTS UNDER PATENTS, TRADEMARKS, COPYRIGHTS AND TRADE SECRETS. COPY RIGHTS OF LIGHORSE TECHNOLOGIES 2011, ALL RIGHTS RESERVED.

