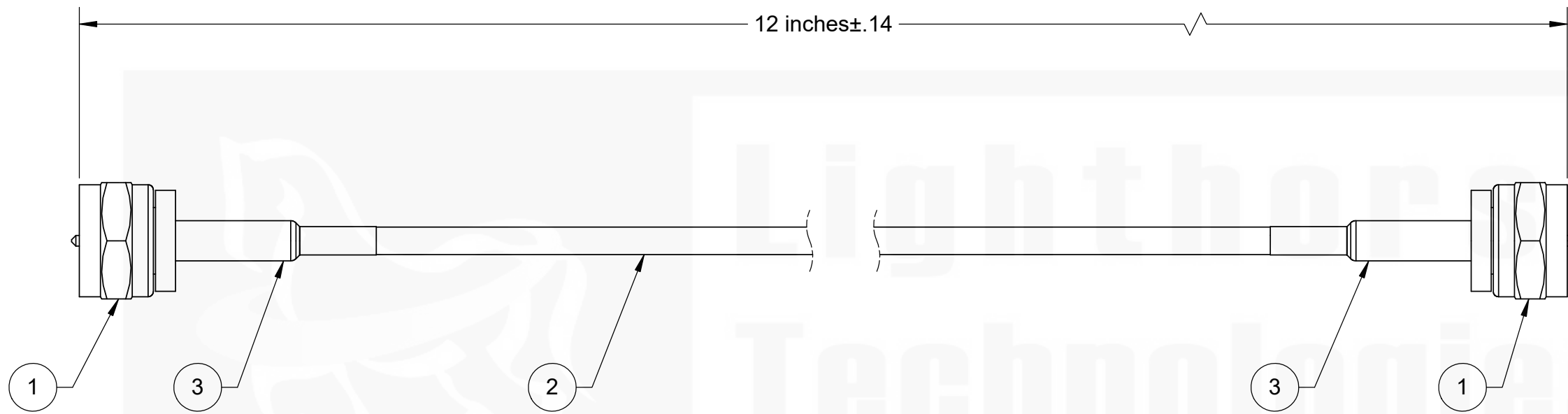


REVISIONS				
REV	ECR	DESCRIPTION	DRAWN	DATE
1		ENGINEERING RELEASE	M. LARSEN	10/25/2023



ITEM	PART NUMBER	DESCRIPTION	QTY
1	FSM11NT-179	F, STRAIGHT PLUG, 75Ω, CABLE CRIMP	2
2	RG-179	CABLE, RG-179 COAX	AR
3	1635F-1/8"	HEAT SHRINK .125 (1/8) DIA, .75 LENGTH, BLACK	2

DO NOT SCALE DRAWING  
TOLERANCES UNLESS OTHERWISE SPECIFIED  
DIMENSIONS ARE IN MILLIMETERS  
X = ±0.5  
X.X = ±0.25  
X.XX = ±0.13  
ANGLE = ±30'

THIRD ANGLE PROJECTION

**CUSTOMER APPROVAL**

SIGN / DATE:	
ENG APPR.	
CHECKED	
DRAWN	M. LARSEN 10/25/2023
NAME	DATE

**Lighthouse Technologies**  
San Diego, CA  
WWW.RFCONNECTOR.COM

TITLE: CABLE ASSEMBLY, 75Ω, F PLUG, TO F PLUG CRIMP USING RG-179 COAX

SIZE	PART/DWG. NO:	REV
B	CBI-2FMNT-12IN	1
SCALE: 2:1	FILE NAME	SHEET 1 OF 1

**PROPRIETARY AND CONFIDENTIAL**  
UNLESS OTHERWISE SPECIFIED: THIS DOCUMENT CONTAINS LIGHTHORSE TECHNOLOGIES INFORMATION. REPRODUCTION, USE, DISCLOSURE OR TRANSMITTAL OF ALL OR ANY PART OF THIS DOCUMENT IS PROHIBITED EXCEPT TO THE EXTENT APPROVED IN WRITING BY AN AUTHORIZED REPRESENTATIVE OF LIGHTHORSE TECHNOLOGIES. LIGHTHORSE TECHNOLOGIES RESERVES ALL RIGHTS UNDER PATENTS, TRADEMARKS, COPYRIGHTS AND TRADE SECRETS. COPY RIGHTS OF LIGHTHORSE TECHNOLOGIES 2011, ALL RIGHTS RESERVED.

