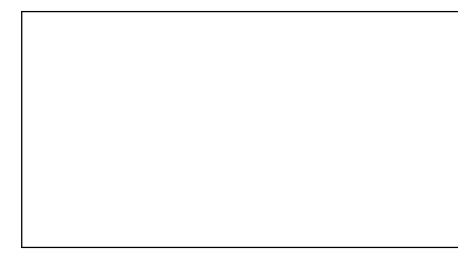
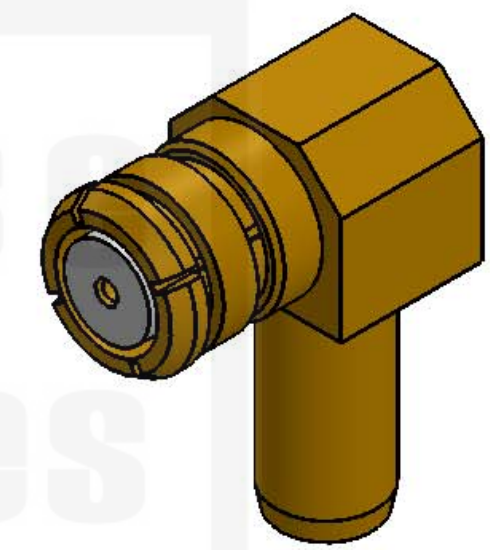
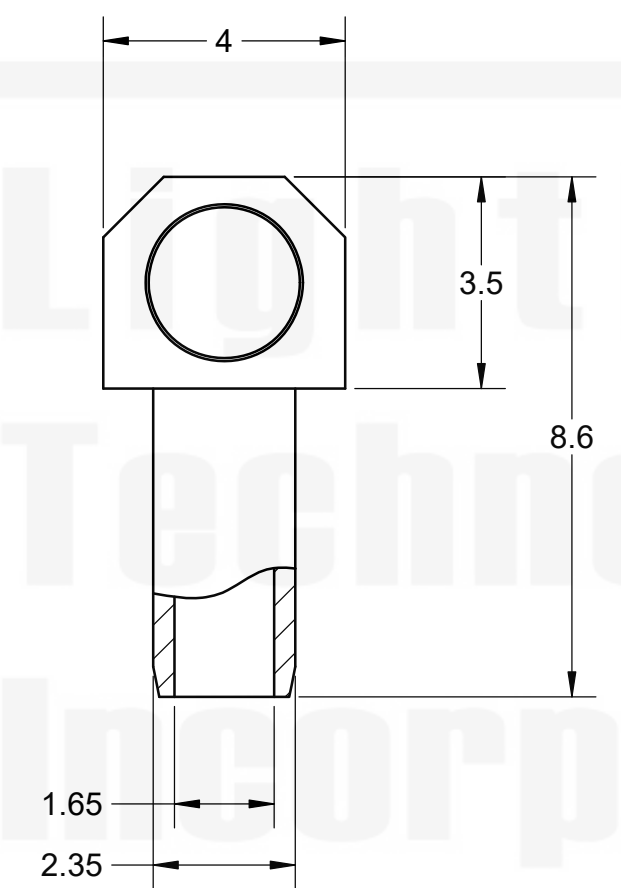
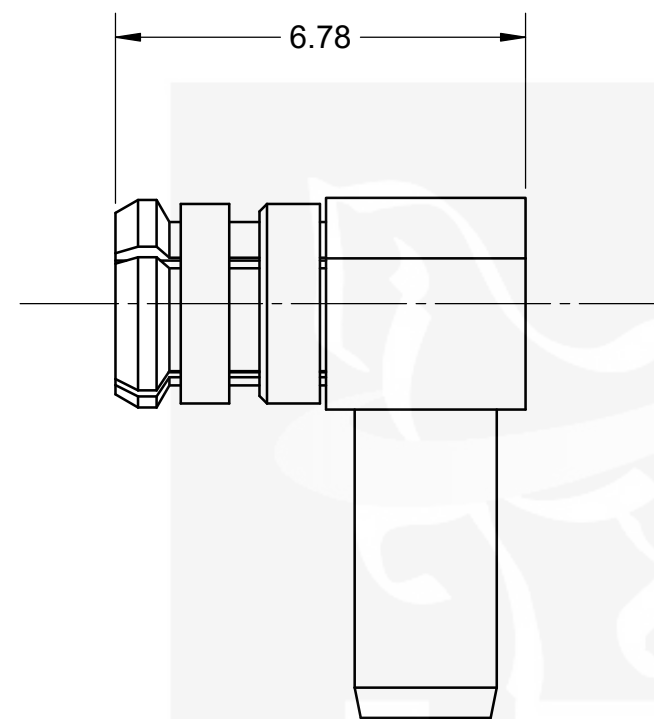




| ITEM: | MATERIAL: | FINISH: | NOTES: |
|----------------|-------------------------|---------------|---|
| CONNECTOR BODY | BRASS, NOTE 1 | GOLD, NOTE 8 | 1. PER QQ-B-626 2. PER QQ-S-764 3. PER QQ-C-530 4. PER QQ-B-750 5. PER MIL-P-19468 6. PER ZZ-R-765 7. PER WW-T-799 8. GOLD PLATED 5µin MIN. OVER NICKEL PLATE 50µin MIN. OVER COPPER STRIKE. 9. NICKEL PLATE 100µin MIN. OVER COPPER STRIKE. 10. PER ASTM-A967 11. GOLD PLATE 30µin MIN. OVER NICKEL PLATE 50µin MIN. OVER COPPER STRIKE. 12. TIN ZINC PLATE 100µin MIN. OVER COPPER STRIKE. |
| CENTER CONTACT | BERYLLIUM, NOTE 3 | GOLD, NOTE 11 | |
| INSULATION | TEFLON, NOTE 5 | ----- | |
| FERRULE | ANNEALED COPPER, NOTE 7 | GOLD, NOTE 8 | |
| GASKET | ----- | ----- | |
| HEX NUT | ----- | ----- | |
| LOCK WASHER | ----- | ----- | |

| REVISIONS | | | | |
|-----------|-----|---------------------|-----------|------------|
| REV | ECR | DESCRIPTION | DRAWN | DATE |
| 1 | | ENGINEERING RELEASE | P. BURDGE | 01/23/2019 |



FERRULE

| | | | |
|--|-----------|--|------------|
| DO NOT SCALE DRAWING | |  Lighthouse Technologies San Diego, CA WWW.RFCONNECTOR.COM | |
| TOLERANCES UNLESS OTHERWISE SPECIFIED | | TITLE: SMP, RIGHT ANGLE JACK, CABLE CRIMP RG-316, GOLD, TEFLON | |
| DIMENSIONS ARE IN MILLIMETERS X = ±0.5 X.X = ±0.25 X.XX = ±0.13 ANGLE = ±30° | |  THIRD ANGLE PROJECTION | |
| CUSTOMER APPROVAL | | | |
| SIGN / DATE: | | SIZE | REV |
| ENG APPR. | | B | 1 |
| CHECKED | | PART/DWG. NO: SPLF11GT-316 | |
| DRAWN | P. BURDGE | SCALE: 8:1 | FILE NAME |
| | NAME | DATE | 01-23-2019 |
| | | SHEET 1 OF 1 | |

PROPRIETARY AND CONFIDENTIAL
 UNLESS OTHERWISE SPECIFIED: THIS DOCUMENT CONTAINS LIGHORSE TECHNOLOGIES INFORMATION. REPRODUCTION, USE, DISCLOSURE OR TRANSMITTAL OF ALL OR ANY PART OF THIS DOCUMENT IS PROHIBITED EXCEPT TO THE EXTENT APPROVED IN WRITING BY AN AUTHORIZED REPRESENTATIVE OF LIGHORSE TECHNOLOGIES. LIGHORSE TECHNOLOGIES RESERVES ALL RIGHTS UNDER PATENTS, TRADEMARKS, COPY RIGHTS AND TRADE SECRETS. COPY RIGHTS OF LIGHORSE TECHNOLOGIES 2011, ALL RIGHTS RESERVED.

